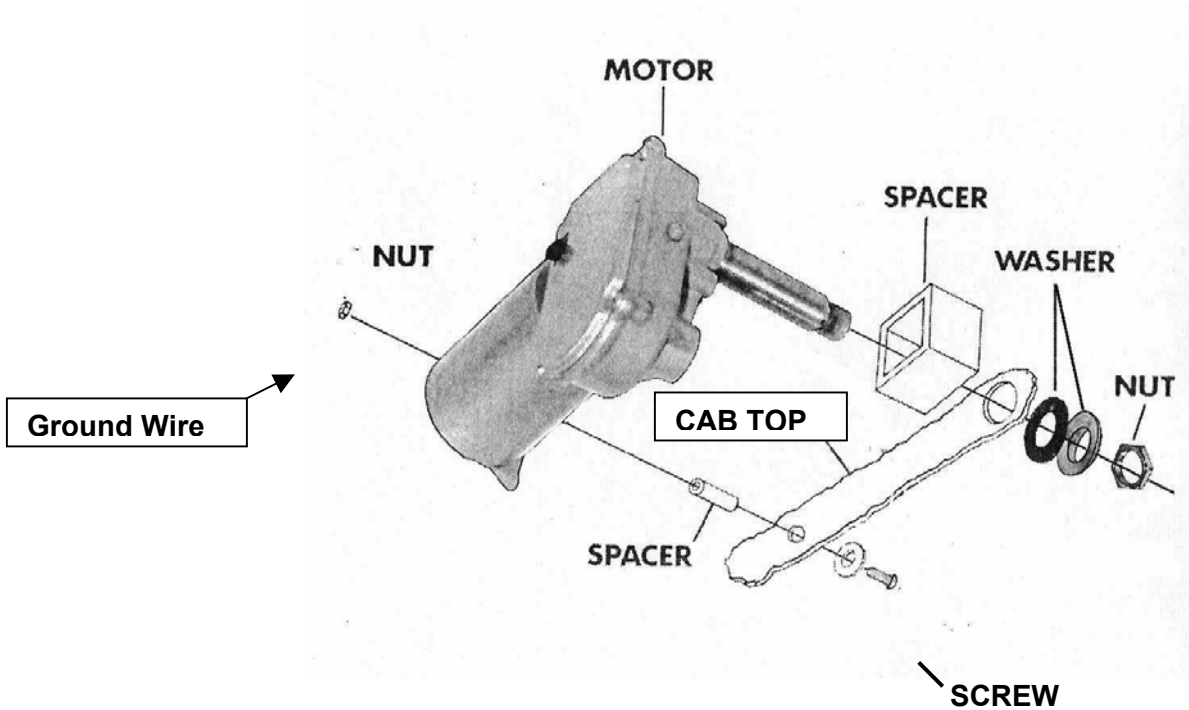


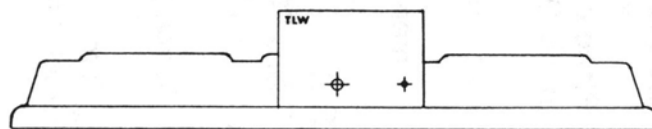
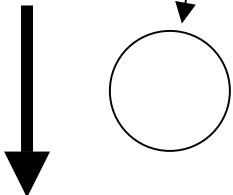
# #10122A 12-Volt Electric Windshield Wiper

PART#	QTY.	DESCRIPTION
5766	1	Sweep Motor Assembly
5673	1	Adjustable Wiper Arm
9225	1	14" Wiper Blade
11558	1	Hardware Package (Contents Listed Below)
9849	1	10' Black wire with 8 amp fuse & holder
9851	1	18" White Wire
9852	1	1" X 1/2" Square Spacer
7277	1	1/2" O.D. x 1/4 " Spacer
7392	1	#10-32 x 1" Screw
5881	2	#10 Flat Washer
7348	1	#10-32 Kep Nut
9826	6	4" Cable Tie
10122A	1	Instructions



**CENTER 5/8" HOLE TO CENTER OF TOP**

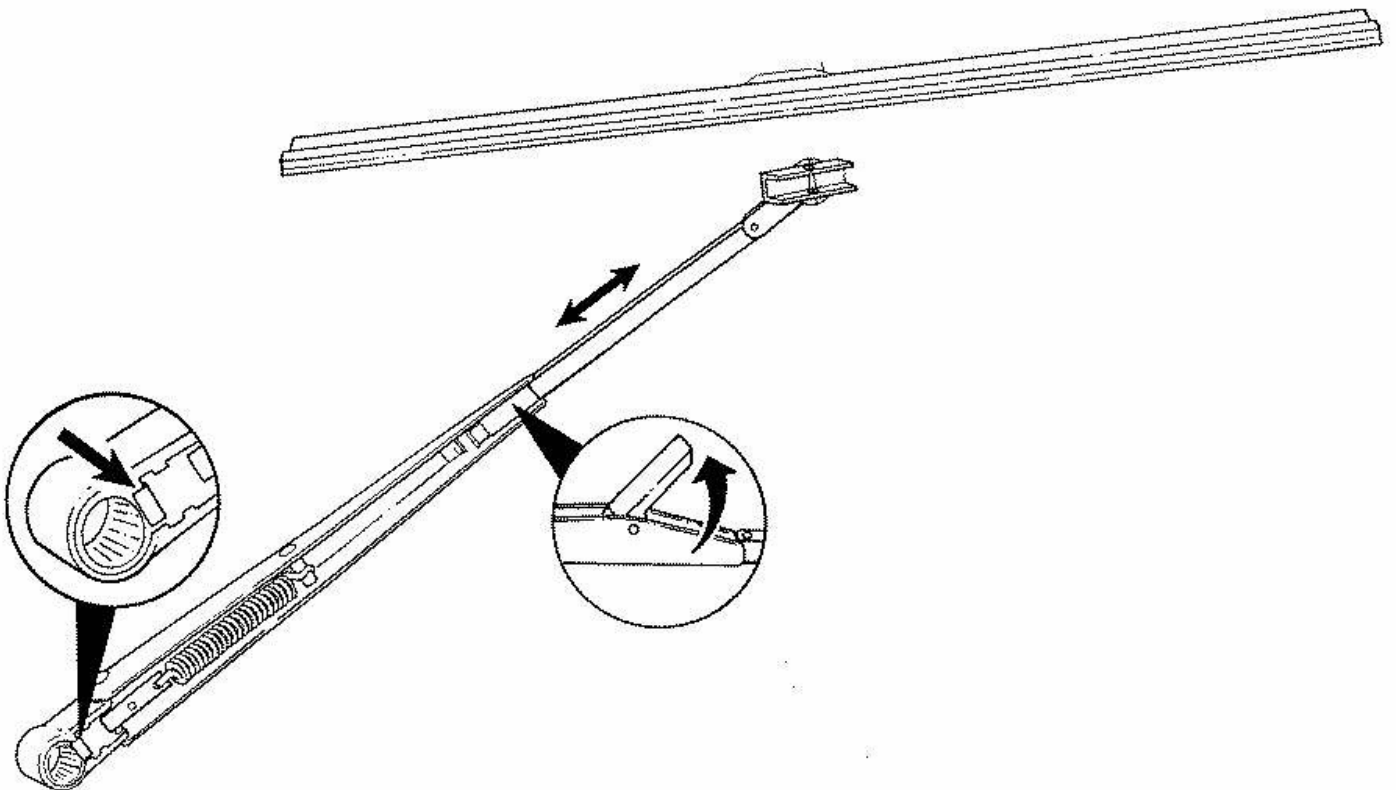
**1/4" HOLE**



**PLACE THIS EDGE ON FRONT LIP OF TOP, MARK & DRILL HOLES**

## INSTALLATION

1. Mark and drill holes according to drilling template.
2. Remove the nut and washers from the stem.
3. Attach the Black wire (fused) to the open spade terminal on the switch.
4. Place the 1" square spacer, over Sweep Motor shaft, and then insert the shaft into the 5/8" hole.
5. Place the washers and then the nut on the stem.
6. Place a #10 flat washer on the #10" x 1 1/2" screw and insert from the outside through the 1/4" hole in the Top, the spacer, and then the flange on the sweep motor. Place another #10 washer over the screw and one end of the white ground wire. Add a #10 Kep Nut and tighten both nuts.
7. Attach the White wire to the left tab welded to the Top Frame of the cab.
8. Attach the ring terminal end of the black wire to the + positive battery terminal or other accessory terminal in vehicle wiring harness.
9. Secure the wire with the cable ties to the cab frame parts.
10. Turn the motor on and then off to insure that it is parked to the left, (as seated in the cab). Make sure that the blade is connected parallel to the arm. Lift the gray lever on the under side of the arm to adjust the arm length as needed. Install the arm and blade to the left as far as the sweep will allow. Turn motor on to check the sweep.



## Visit us on the web to see our other products.

Cabs for Lawn Tractors, Garden Tractors, Compact Tractors, Snow Blowers, Utility Vehicles, & Fork Lifts, Sun Shades for tractors, mowers & Utility Vehicles, Storage Covers for Lawn and Garden equipment.



Original Tractor Cab Co., Inc. P.O. Box 97 6849 W. Front St. Arlington, IN 46104 Phone 765-663-2214 Fax 765-663-2101 [www.originalcab.com](http://www.originalcab.com)

### LIMITED WARRANTY

#### COVERED BY WARRANTY

ORIGINAL TRACTOR CAB CO., INC., (the "Company") warrants to the owner that each new product listed below is merchantable and free of defects in workmanship and material.

During the warranty period, the dealer from whom the product was bought, or the Company, will provide, free of charge, parts and the shipping costs of parts necessary to correct any defect in workmanship and material.

#### WARRANTY PERIOD

The company products listed below are warranted for the stated period from the date of the original purchase:

- |  |        |
|--|--------|
| 1. Cabs for tractors and snow removal equipment    | 1 Year |
| 2. Company manufactured accessories for above cabs | 1 Year |
| 3. Sunshades for lawn and garden tractors          | 1 Year |
| 4. Repair parts                                    | 1 Year |

#### OWNER'S RESPONSIBILITIES

The owner of a new Company manufactured product must do the following to qualify for warranty service:

1. Retain the original invoice or other proof of purchase to avoid unnecessary difficulties in determining eligibility for warranty work.
2. Notify the dealer from whom the product was bought, or the company, as soon as possible after discovery of a possible defect, and provide proof of original purchase.

To notify the company write to: Original Tractor Cab Co., Inc., P.O. Box 97, Arlington, IN 46104.

3. the owner may, upon notification by the Company, be required to return the defective part, or parts, to the Company for inspection and warranty service.

#### NOT COVERED BY WARRANTY

The following are not covered by this warranty:

1. Transportation charges to and from servicing dealer or the Company;
2. New products that have been subject to misuse, negligence or accident, or have been altered or repaired in a manner not authorized by the company;
3. Windshield wipers, lights, or accessories that are warranted separately by their respective manufacturers, except Company agrees to make available to the owner whatever warranty benefits may be made available to the Company by the manufacturers.

**All implied warranties, except to the extent prohibited by any applicable law, shall have no greater duration than the warranty period for the applicable product, some states do not allow limitation on how long an implied warranty lasts, so the above limitation may not apply to you. The Company's' liability arising out of warranties representation, instructions, or defects from any abuse, shall be limited exclusively to repair or replacing parts under the condition in the warranty, and in no event will Company be liable for incidental or consequential damages. Some states do not allow the exclusion or limitation of incidental or consequential damages, so the above limitation or exclusion may not apply to you.**

**This warranty gives you specific legal rights, and you may also have rights that vary from state to state.**