

## Installation & Operations Manual Kubota RTV X Folding Windshield

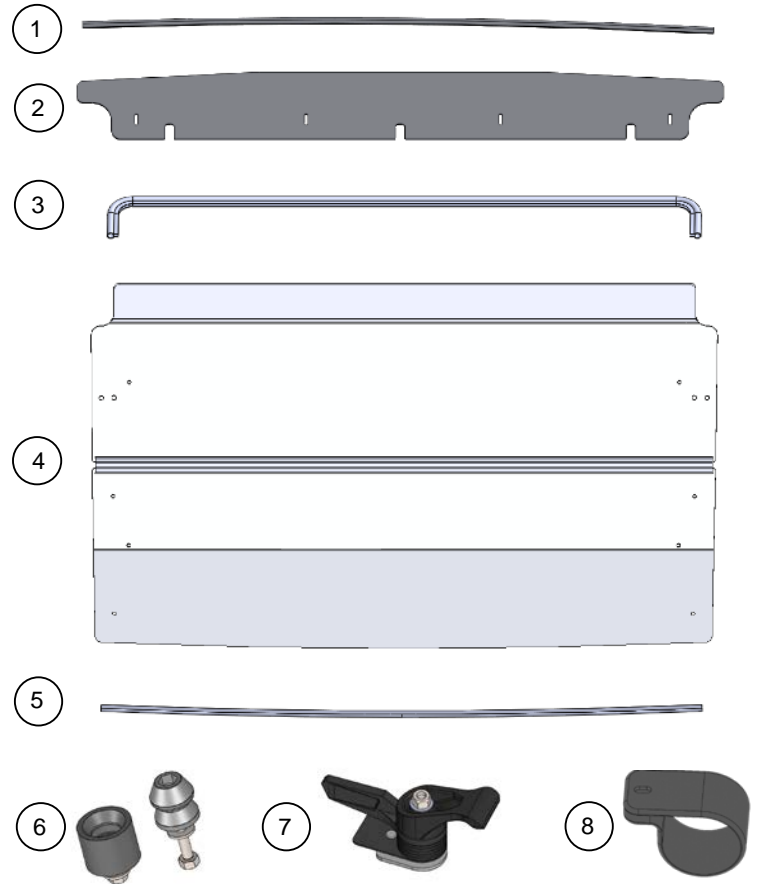


Part Numbers:

UV Coated Poly #26082

**Double Side Hard Poly #26083**

### Kit Contents:

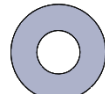


1. Header Panel Gasket (53", long)
2. Header Panel
3. Upper Windshield Gasket (53", long)
4. Polycarbonate Folding Windshield
5. Lower Windshield Gasket (46", short)
6. Plug Assembly Set (2)
7. Windshield Clamp Lever Assembly (2)
8. 2" Plastic P Clamp (8)

### Hardware:



1/4-20 x 1.25in Hex Head Bolt (4)



1/4-20 Washer (8)



1/4-20 Locknut (4)



M6 x 30mm Button Head Bolt (4)

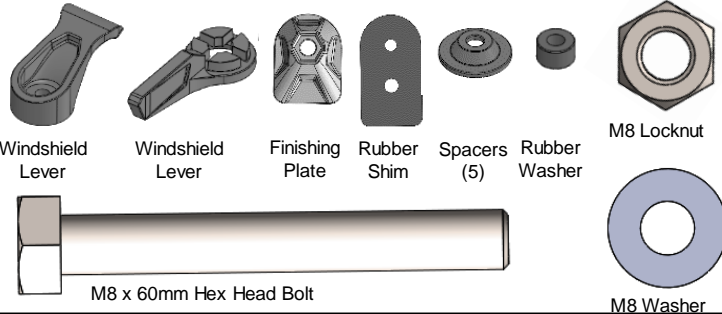


M6 Washer (8)

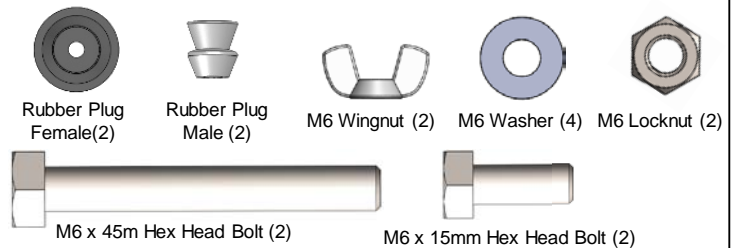


M6 Locknut (4)

### Windshield Clamp Lever Assembly



### Plug Assembly Set



### Installation Information:

This product does not require any modifications to your vehicle. Please familiarize yourself with all the steps before beginning assembly.

### Compatibility Info:

This windshield is designed to work with other Seizmik branded Accessories for the Kubota RTV-X as well as the Kubota Plastic OEM Roof. Please note Seizmik cannot guarantee fitment with other branded aftermarket products. Please research installation details on our products and others when trying to combine different branded accessories.

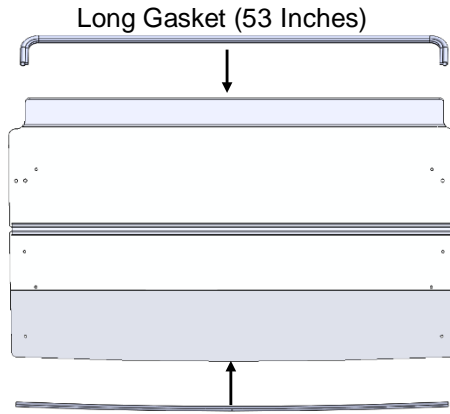
Seizmik makes Windshields, Mirrors, Door Kits, Light Bars, Hood Racks, and other great accessories for UTV's to maximize the vehicles usefulness. To help you do what you do better.

If you have any questions, comments, need assistance, or are missing parts, please call 1-866-838-3366 between 9:00AM and 5:00PM EST. Or email us at [service@seizmik.com](mailto:service@seizmik.com). Visit [www.seizmik.com](http://www.seizmik.com) for more information on our products.

**Installation:**

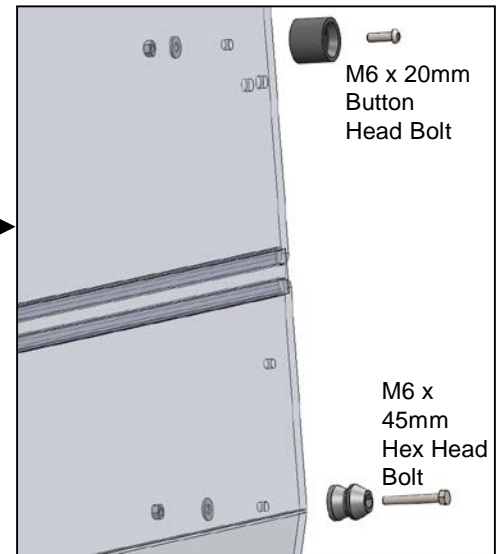
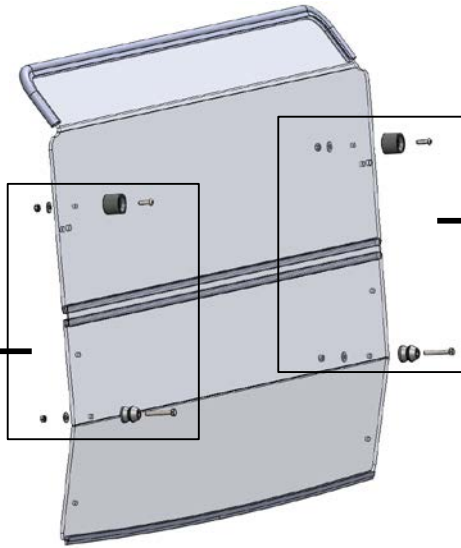
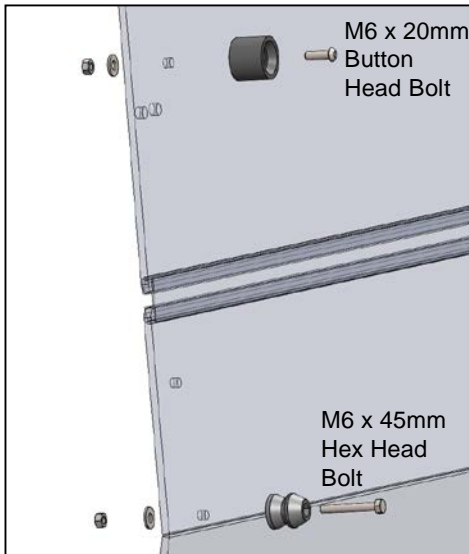


**1.** Peel plastic 4" back on all sides of windshield. Remove after windshield is fully installed.

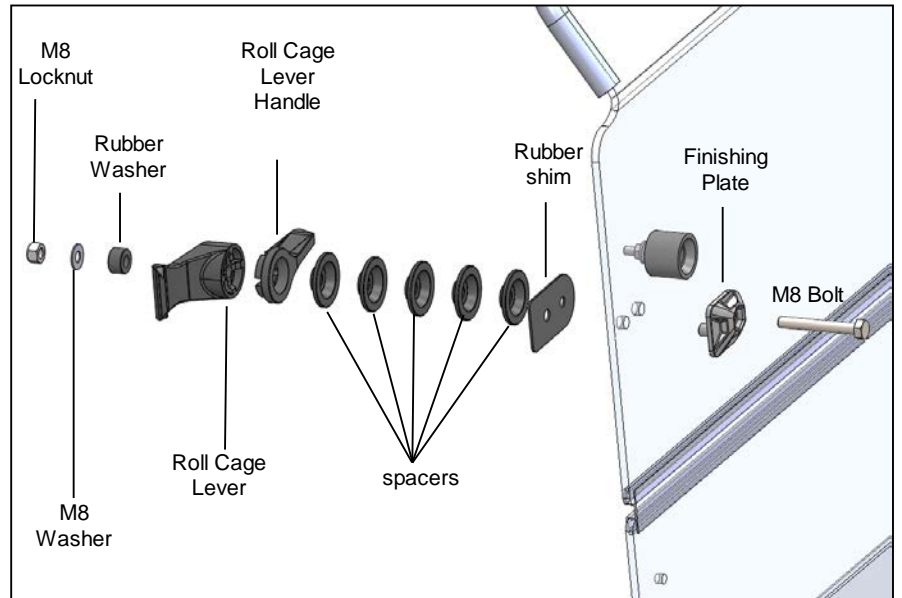
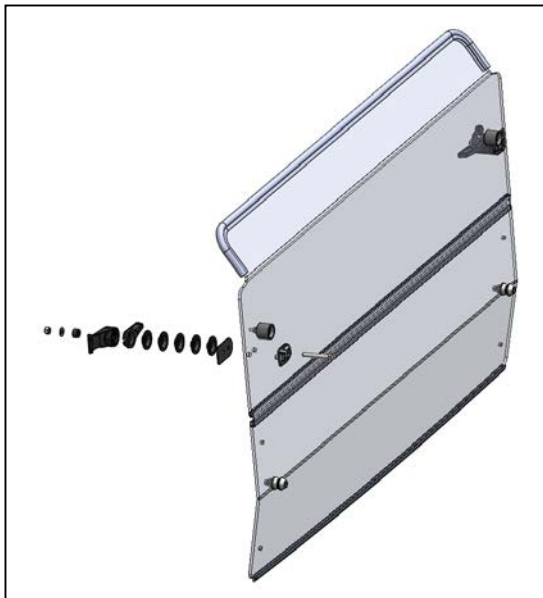


Longest Gasket (53 Inches)  
Shortest Gasket (46 Inches)

**2.** There will be two gaskets of the same length, and one shorter gasket. The long gaskets should be pushed on to the top of the windshield and the top of the header panel. The shorter gasket should be pushed on to the bottom of the windshield.



**3.** Attach the 2 plastic Plugs (male) onto the bottom half of the windshield, and the 2 Rubber Plugs (female) onto the upper half of the windshield. The female rubber plug uses a shorter M6 bolt, while the male plastic plug uses the longer M6 bolt. Secure with M6 Locknuts and washers. Make sure to place the plugs on the front side of the windshield so the plugs lock in to each other when the windshield is folded.



**4.** Attach the roll cage levers to the vehicle using the finishing plate, rubber shim, 5 spacers, rubber washer, washer and M8 locknut as shown above. Make sure to attach the lever on the concave side of the windshield so it can clamp to the vehicle roll cage.

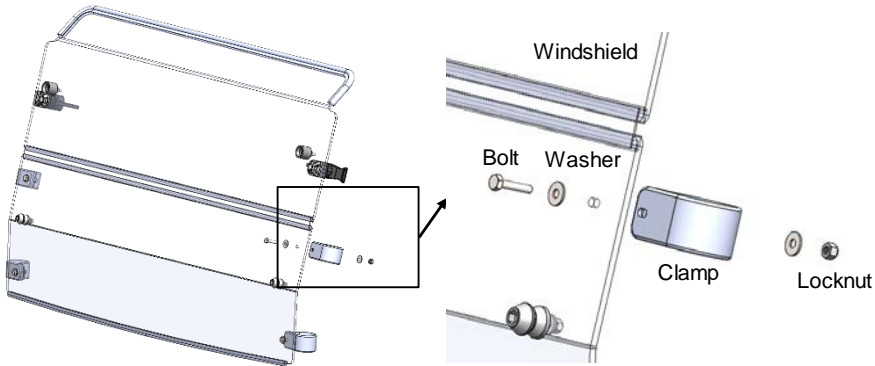
**Installation:**



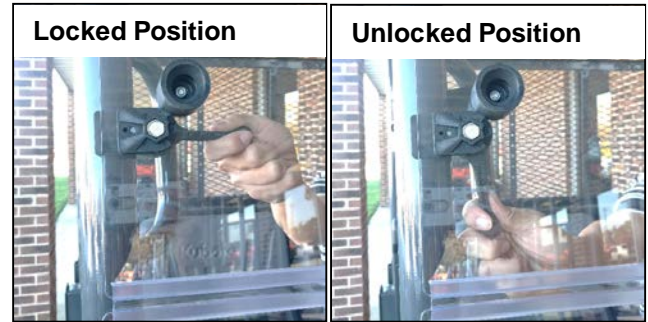
**5.** Bolt the Header panel in front of the upper cross bar in on the RTV X with 4 plastic p clamp bolts and washers.



**6.** Place four clamps in the approximate locations shown.



**6.** Attach the windshield to the clamps with the included bolt, two washers, and locknut as shown.



**7.** Rotate both levers perpendicular to the roll cage to lock the windshield in place. To release the top section of the windshield, rotate the lever 90°.



**16.** Push the top half of the windshield down and firmly press the two rubber plugs against each other to lock windshield in down position.